

# PERSONALISED VENTILATION

PV-AirZone product information



PV-AirZone is an Airhandling device for personalised ventilation and comes with adjustable nozzles and regulator for individual control of the air volume. The device is designed for mounting on the desk behind a PC-monitor.

The device is suited for horizontal supply of tempered air of 18-26 °C.

The device comes with damper, power supply and regulator permitting immediate and individual control of the air volume.

The device is delivered with measuring probe for measuring the air volume.

## Characteristics

- Individual control of the air volume
- Individually adjustable nozzles
- Trim function on the damper for individual control

## Maintenance

In order to secure the movability of the nozzles, grease the o-rings yearly or according to need. Dismount the nozzle heads to get access to the o-rings.

Use a damp cloth to remove dust and dirt from the visible part of the device.

## Device kit PV200 and 201



### Device

1 pc. 4000000

### Desk bracket

PV201B

1 pc. 4000001

### Desk duct

PV201D

1 pc. 4000002



### Measuring probe

1 pc. 4000006



### Pipe Ø60x300 mm

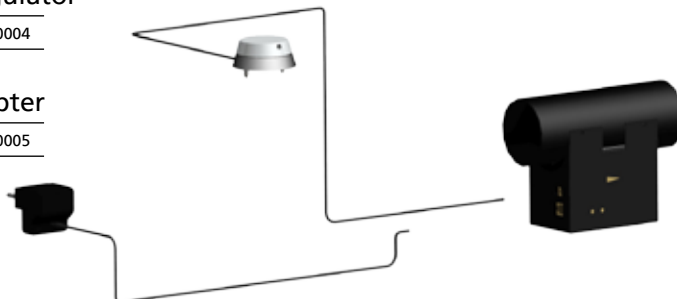
1 pc. Part in PV201 D and B

### Desk regulator

1 pc. 4000004

### Net-adaptor

1 pc. 4000005



### Damper

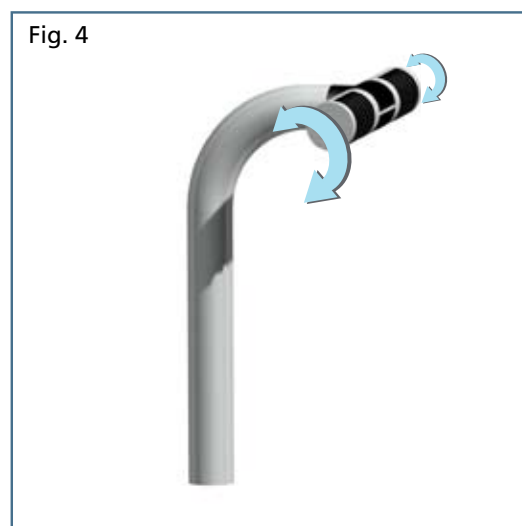
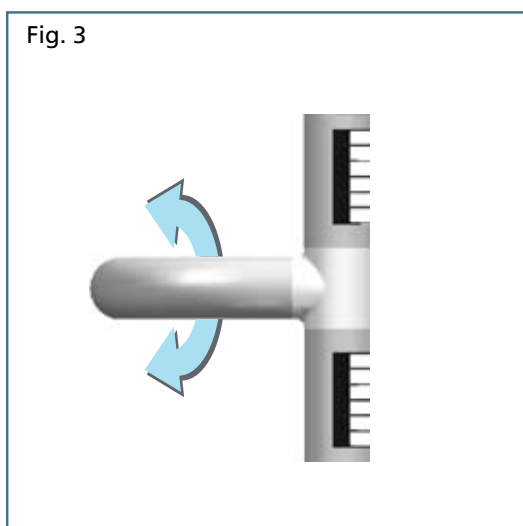
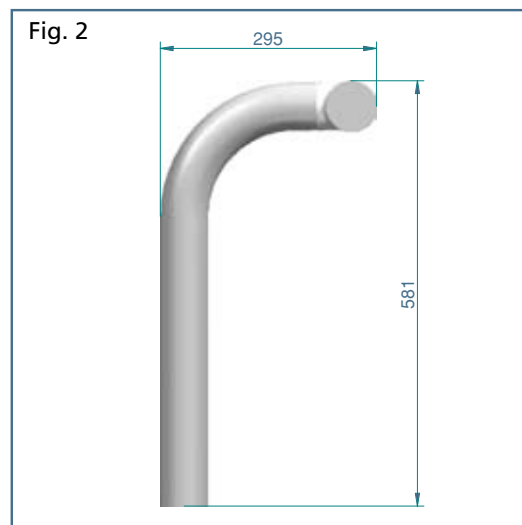
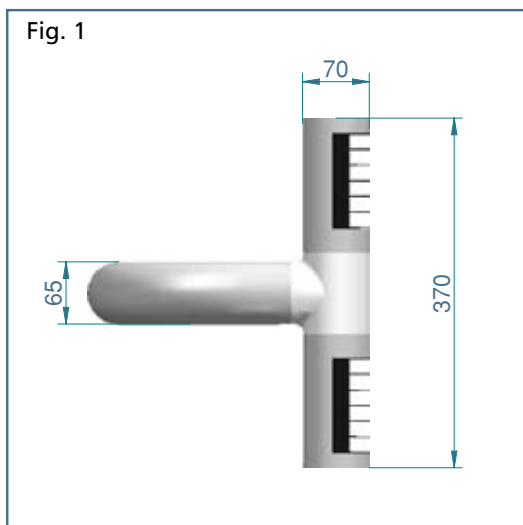
1 pc. 4000003

**EXHAUSTO**

FOR A BETTER FLOW



## Dimensioned sketch



## Material and finish

Device: Aluminium and plastic (PC/ABS)  
Standard finish: Anodized aluminium and black soft coating  
Standard colour: Aluminium

The device is available in other colours. Please contact our sales department for further information.

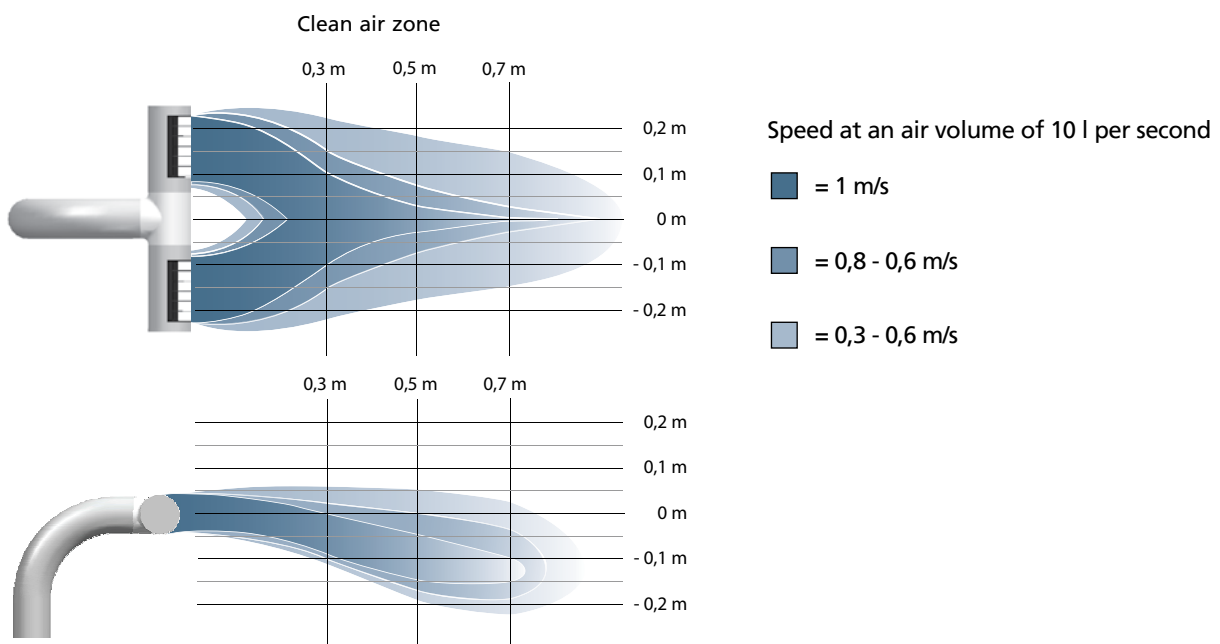
## Ordering

Item code	Description
PV201B	PV-AirZone Kit* – Alu-coloured device including desk bracket
PV201D	PV-AirZone Kit* – Alu-coloured device including desk duct
DS200	Desk ducting system for PV-AirZone

\* A kit contains: Device, damper, desk regulator, net-adapter, and desk bracket/duct

## Clean air zone

Fig. 5



## Efficiency – PEE

Fig. 6

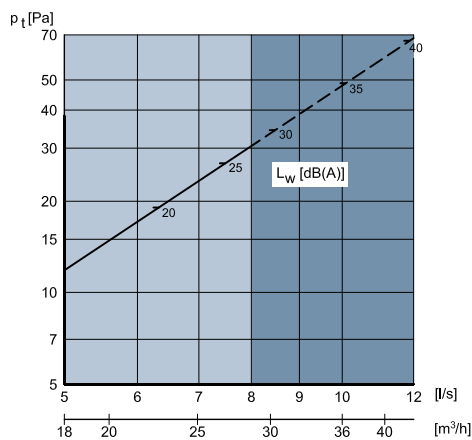
PEE: Clean inhaled air  
(Personal Exposure Effectiveness)

PEE = 30 - 40 % at 8 - 10 l/s



## Pressure loss and sound

Fig. 7



Sound pressure level dB(A) at a distance of 0.5 metres at full-spherical sound distribution in a room with 6 Personalised Ventilation devices and a room attenuation of 12 m<sup>2</sup>-Sabin:

$$L_{p(A)} = L_{w(A)} - 4 \text{ dB}$$

Example: 8 l/s

$$L_{w(A)} \text{ read} = 28 \text{ dB(A)}$$

$$L_{p(A)} = L_{w(A)} - 4 \text{ dB} = 28 - 4 = 24 \text{ dB(A)}$$

■ Recommended range



## Labelling



PV-AirZone has the Danish Indoor Climate Label



**PERSONALISED  
VENTILATION**  
- a healthy investment