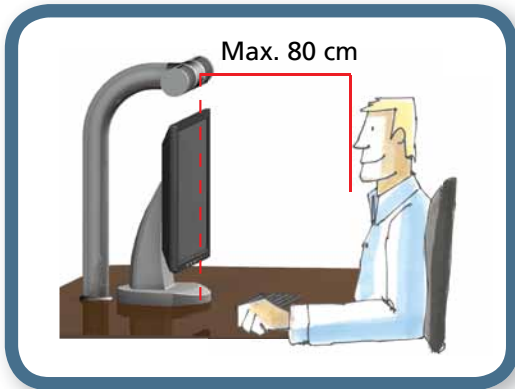


PERSONALISED VENTILATION

PV-AirZone Mounting Instructions

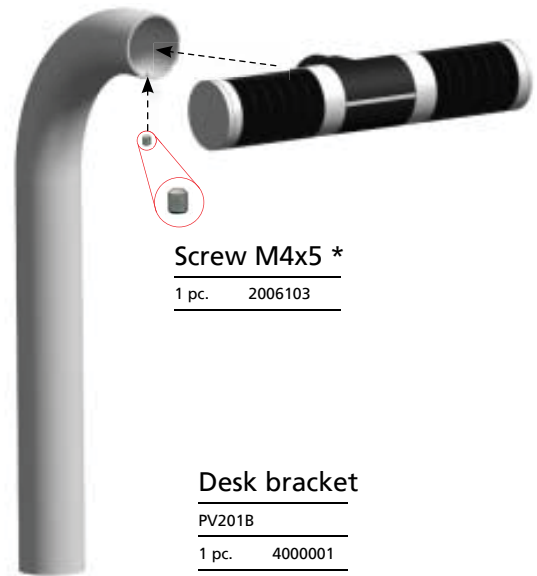


Device kit PV200 og 201



Device

1 pc. 4000000



Screw M4x5 *

1 pc. 2006103

Socket for flexible hose

2 pcs. 4000007



Desk duct

PV201D

1 pc. 4000002



Desk bracket

PV201B

1 pc. 4000001



Measuring probe

1 pc. 4000006



Pipe $\varnothing 60 \times 300$ mm

1 pc. Part in PV201 D and B



Desk regulator

1 pc. 4000004

Net-adapter

1 pc. 4000005



Damper

1 pc. 4000003

* For mounting of T-piece

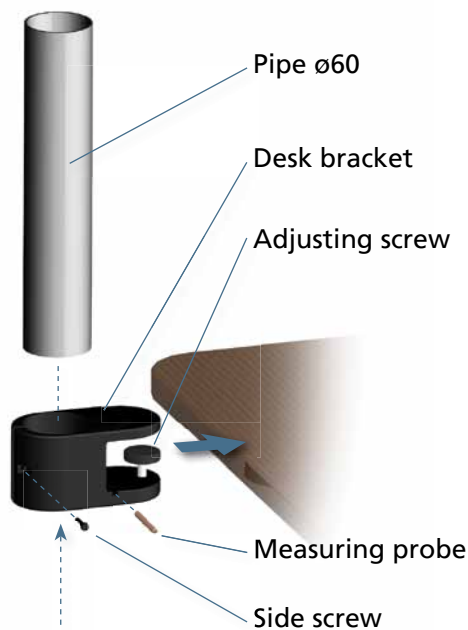
EXHAUSTO

FOR A BETTER FLOW



Mounting of Desk bracket

Fig. 1



Fasten the angle*
or damper** here

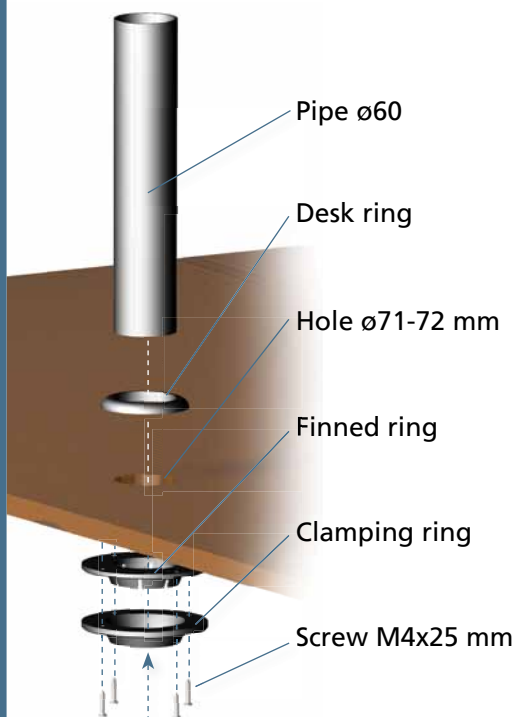
- Fasten the desk bracket to the desk by means of the adjusting screw (Allen key).
- Lead the pipe through the desk bracket.
- Now place the lower pipe end in the angle or the damper to the stop.
- Press the assembly up to the stop in the desk bracket.
- Fasten the pipe by means of the side screw (Allen key).

* Angle 4000009

** Damper 4000003

Mounting of Desk duct

Fig. 2



Fasten the angle* or damper** here

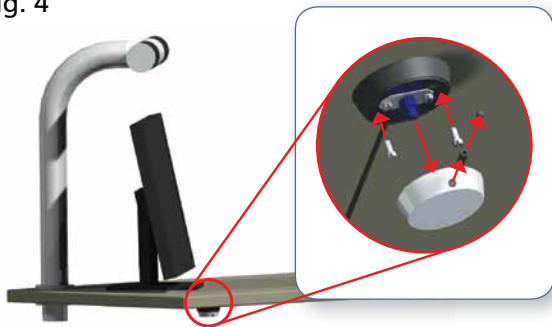
- Drill a hole of $\varnothing 71-72$ mm in the desk where the device is to be placed.
- Place the pipe in the hole. Mount the finned ring and the clamping ring on the pipe under the desk.
- Now place the lower pipe end in the angle or the damper to the stop.
- Press the assembly up to the stop in the desk duct.
- Fasten the clamping ring and angle/damper by means of 4 screws (M4x25 mm).

* Angle 4000009

** Damper 4000003

Mounting of desk regulator, damper and net adapter

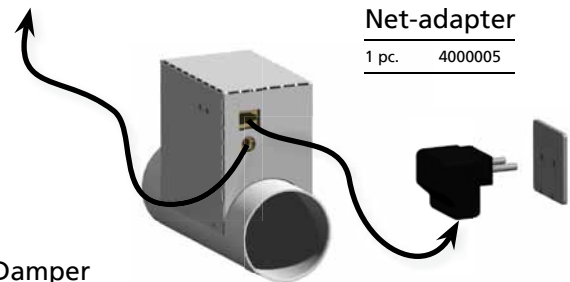
Fig. 4



Mounting under the desk:

- Loosen Allen screw in the alu top and dismount the alu top.
- Fasten the desk regulator to the desk top by means of the 2 screws (M4.2x16 mm enclosed in plastic bag). Remember to dismount the rubber feet.
- Re-mount the alu top.

For desk regulation



Net-adapter

1 pc. 4000005

Damper

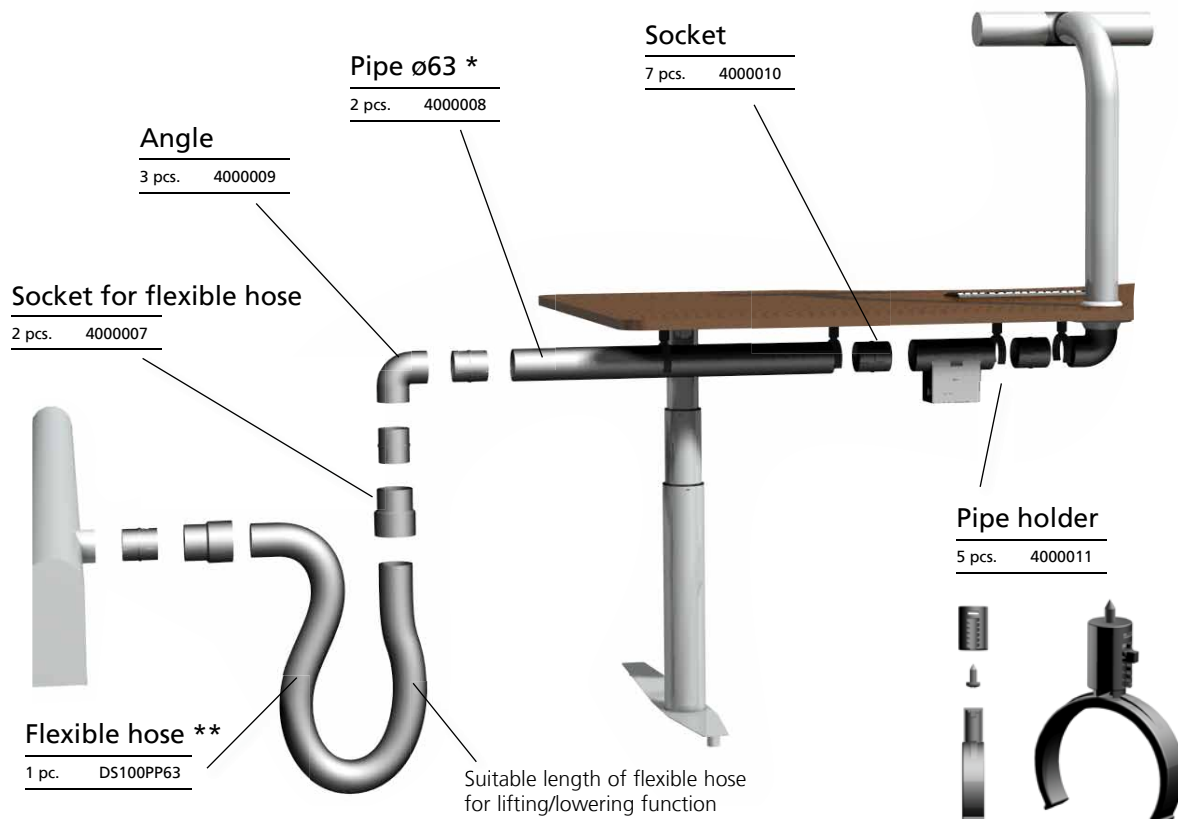
1 pc. 4000003

We recommend that the damper is mounted as close to the device as possible - max. distance 1 m

Mounting of desk ducting system (example)

Fig. 5

Desk ducting system DS200

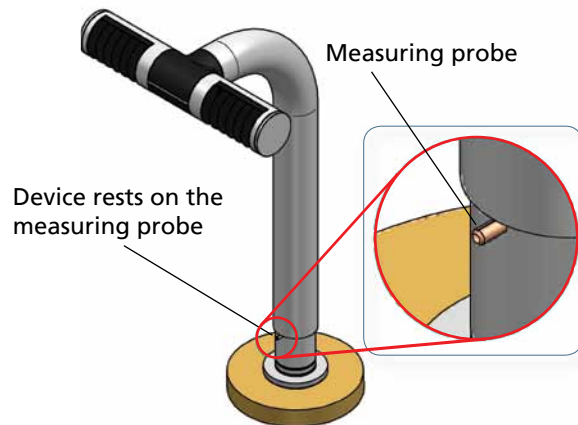


* Supplied in length of 1 m which can be shortened according to need – if necessary, use plastic pipe cutter.

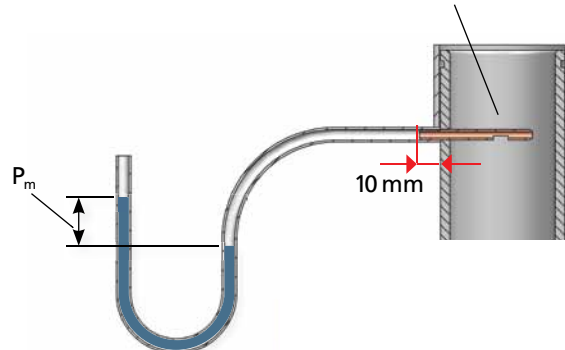
** To be ordered separately

Measuring of air volume in the device

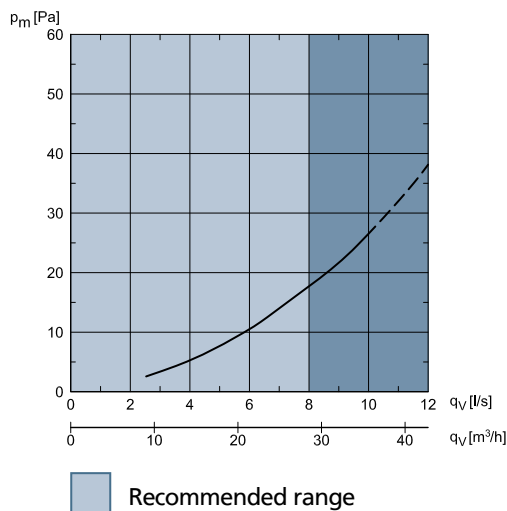
Fig. 6



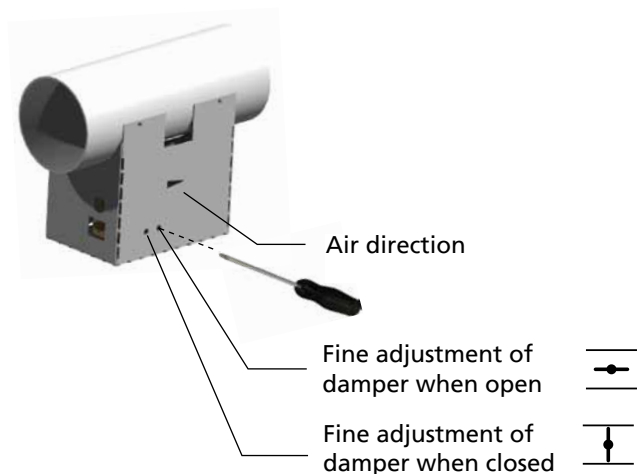
The opening in the measuring probe must be in the middle of the pipe and turned towards the airflow



Measuring pressure / air volume



Adjustment of end stop for damper



Check list

You need:

- Drilling machine
- Hollow drill ($\varnothing 71-72$ mm)
- Diagonal cutting nipper
- Allan keys
- Phillips head screwdriver
- Slotted head screwdriver
- Plastic pipe cutter



PERSONALISED VENTILATION
- a healthy investment